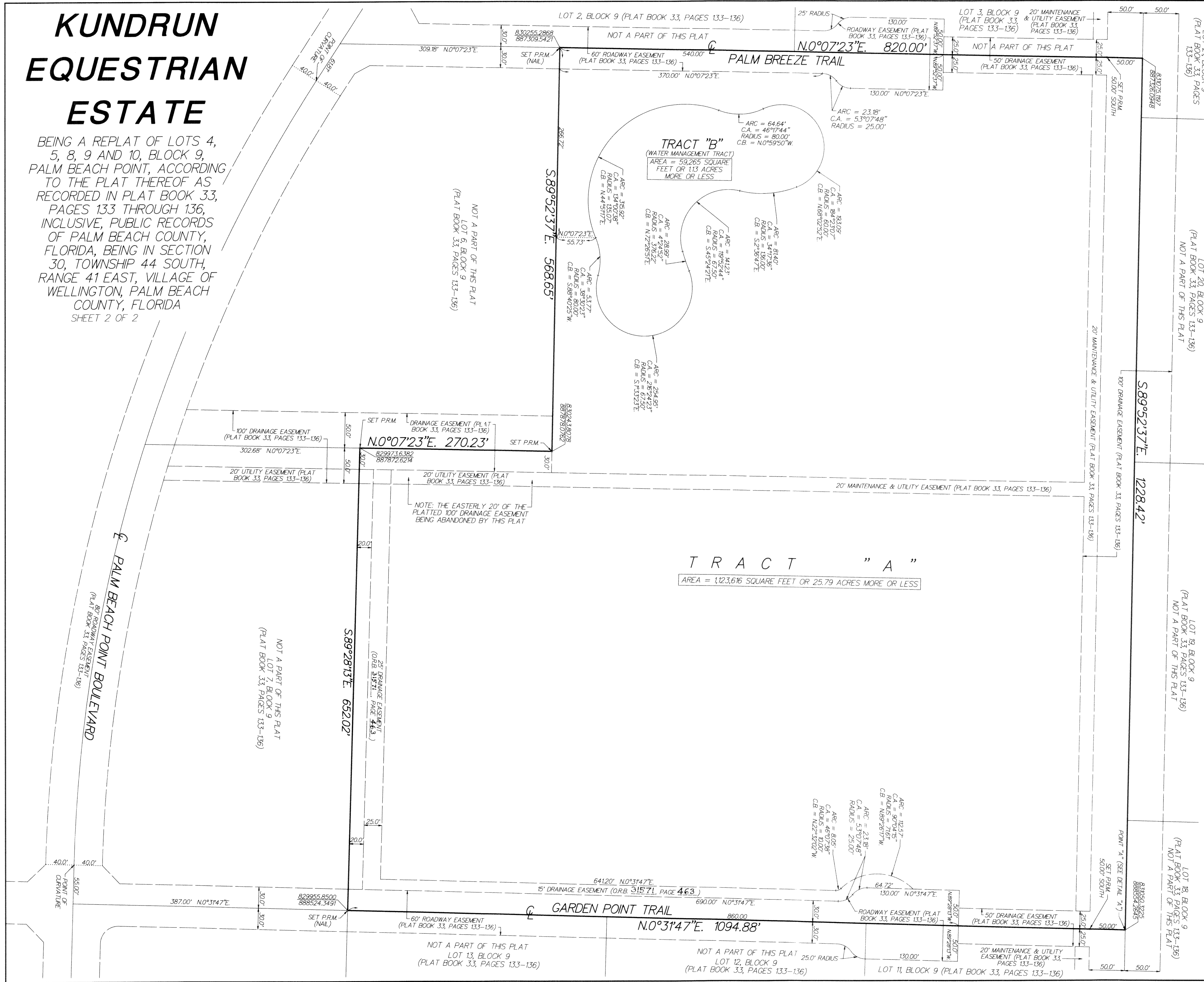
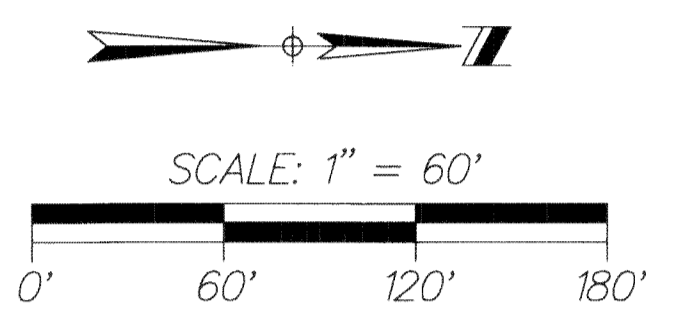


KUNDRUN EQUESTRIAN ESTATE

BEING A REPLAT OF LOTS 4, 5, 8, 9 AND 10, BLOCK 9, PALM BEACH POINT, ACCORDING TO THE PLAT THEREOF AS RECORDED IN PLAT BOOK 33, PAGES 133 THROUGH 136, INCLUSIVE, PUBLIC RECORDS OF PALM BEACH COUNTY, FLORIDA, BEING IN SECTION 30, TOWNSHIP 44 SOUTH, RANGE 41 EAST, VILLAGE OF WELLINGTON, PALM BEACH COUNTY, FLORIDA
SHEET 2 OF 2



101



LEGEND:
 CL = CENTERLINE
 P.R.M. = PERMANENT REFERENCE MONUMENT (4"x4" CONCRETE MONUMENT STAMPED "PRM LB.353") UNLESS STATED OTHERWISE
 P.R.M.(NAIL) = NAIL AND DISK STAMPED "PRM LB.353"
 P.R.P.B.C.O. = PUBLIC RECORDS OF PALM BEACH COUNTY
 SECTION 30/44/41 = SECTION 30, TOWNSHIP 44 SOUTH, RANGE 41 EAST

